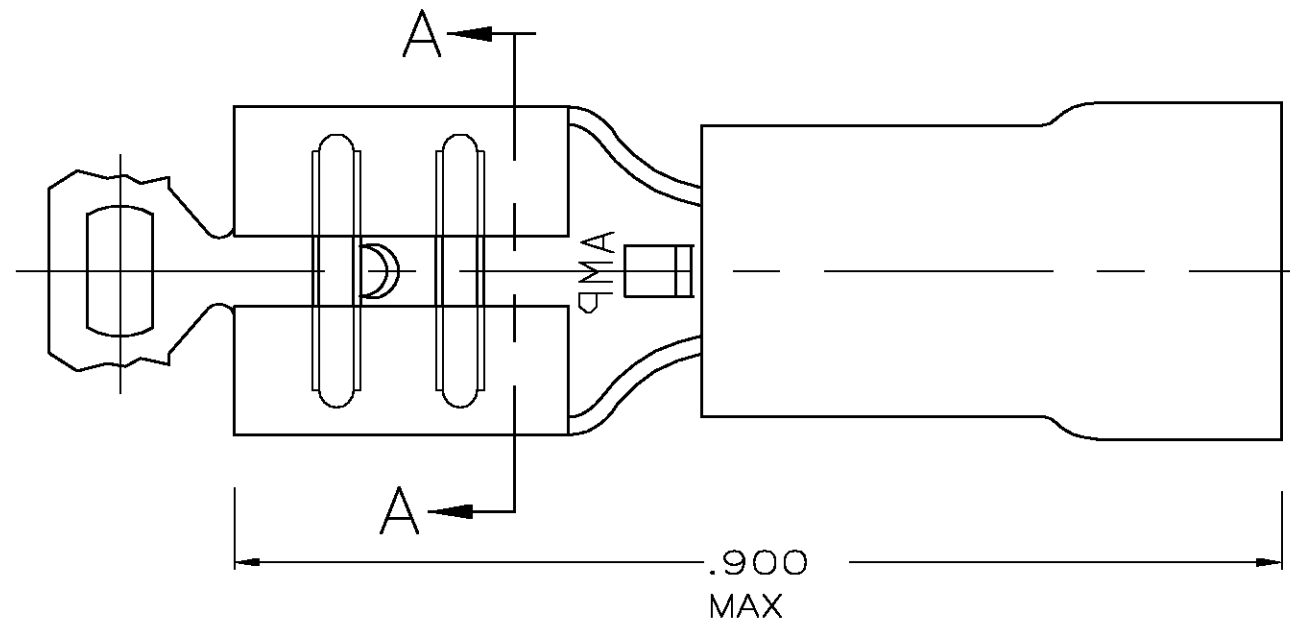


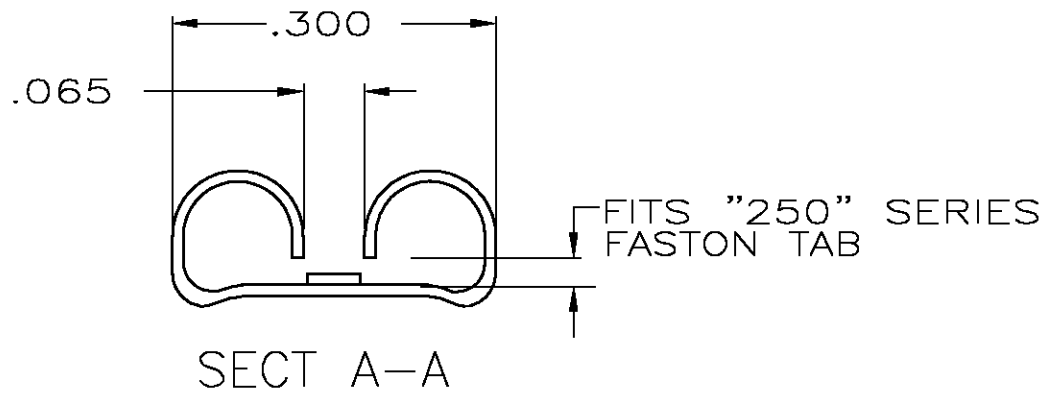
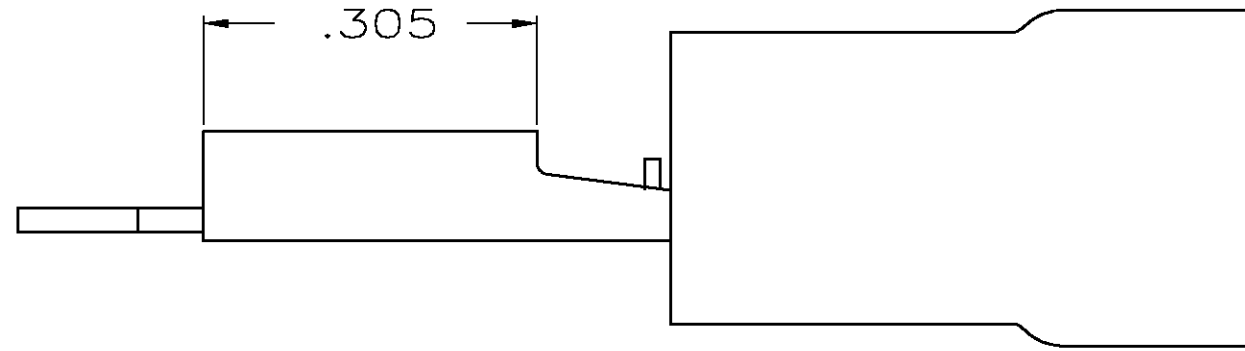
THIS DRAWING IS UNPUBLISHED. RELEASED FOR PUBLICATION
 © COPYRIGHT BY TYCO ELECTRONICS CORPORATION. ALL RIGHTS RESERVED.

LOC	DIST	REVISIONS				
P	LTR	DESCRIPTION	DATE	DWN	APVD	
G	14	G	REV PER 0G3A-0319-03	27MAY03	JR TM	



- 1. INSULATION DIA .170 MAX
- 2. FITS TAB .032 THK

AMP WIRE RANGE	FILE	LR7189 Certified
16-14 AWG STRANDED	E66717	LR7189 Certified
16-14 AWG STRANDED	16-14 AWG STRANDED	16-14 AWG STRANDED



QTY	PACKAGE TYPE	PART NO
-	-	640904-1

AMP INCORPORATED
CUSTOMER SERVICE SYSTEMS

FOR ADDITIONAL PRODUCT INFORMATION OR COPIES OF DRAWINGS AND TECHNICAL DOCUMENTS	PRODUCT INFORMATION CENTER 1-800-522-6752
FOR APPLICATION TOOLING INFORMATION	TOOLING ASSISTANCE CENTER 1-800-722-1111
FOR ORDER ENTRY	1-800-526-5142

MAX RECOMMENDED OPERATING TEMPERATURE:
105° C

VOLTAGE RATING:
300V MAX

CIRCULAR MIL AREA:
2,050-5,180 STRANDED

THIS DRAWING IS A CONTROLLED DOCUMENT.

DIMENSIONS: INCHES	TOLERANCES UNLESS OTHERWISE SPECIFIED:
	0 PLC ± -
	1 PLC ± -
	2 PLC ± .015
	3 PLC ± -
	4 PLC ± -
	ANGLES ± -

MATERIAL: BODY, BRASS .018

FINISH: BODY, TIN

DWN	26JUN95
L OLMEDA	
CHK	26JUN95
M ELLIS	
APVD	26JUN95
B BARE	
PRODUCT SPEC	UL 310
APPLICATION SPEC	114-1002
WEIGHT	-

CUSTOMER DRAWING

tyco Electronics Tyco Electronics Corporation
 Harrisburg, PA 17105

NAME: RECEPTACLE, 250 SERIES, FASTON, PIDG, 16-14

SIZE	CAGE CODE	DRAWING NO	RESTRICTED TO
A3	00779	640904	-

SCALE: 6:1 SHEET: 1 OF 1 REV: G